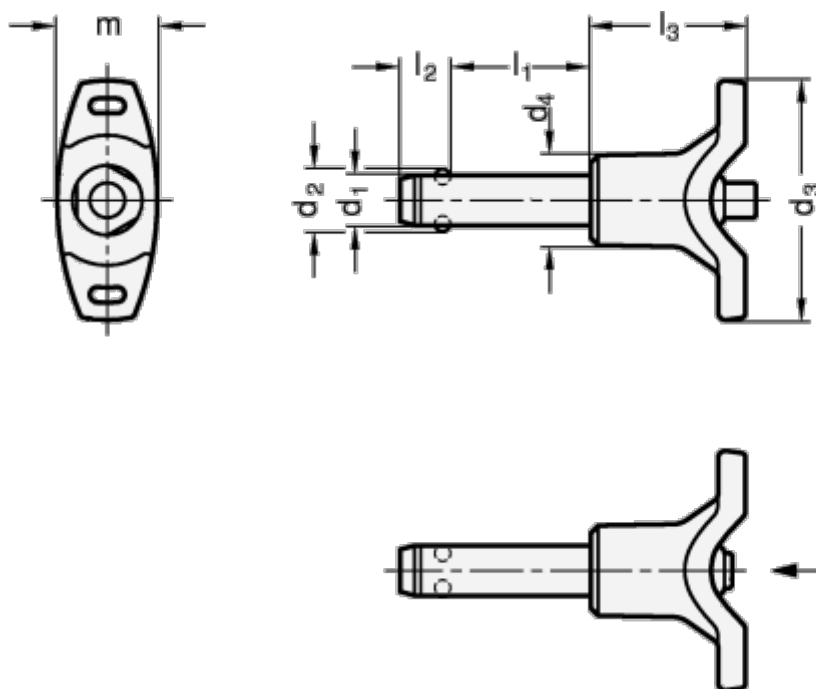


Article number: 201138840

Description: E+G stainless steel-ball lock pin
GN 113.8-8-40

Measures



$d1 = 8$

$d2 = 9.5$

$d3 = 48$

$d4 = 18.0$

$l1 = 40$

$l2 = 8.2$

$l3 = 31.0$

$m = 20.5$

Resilience (N) = 63